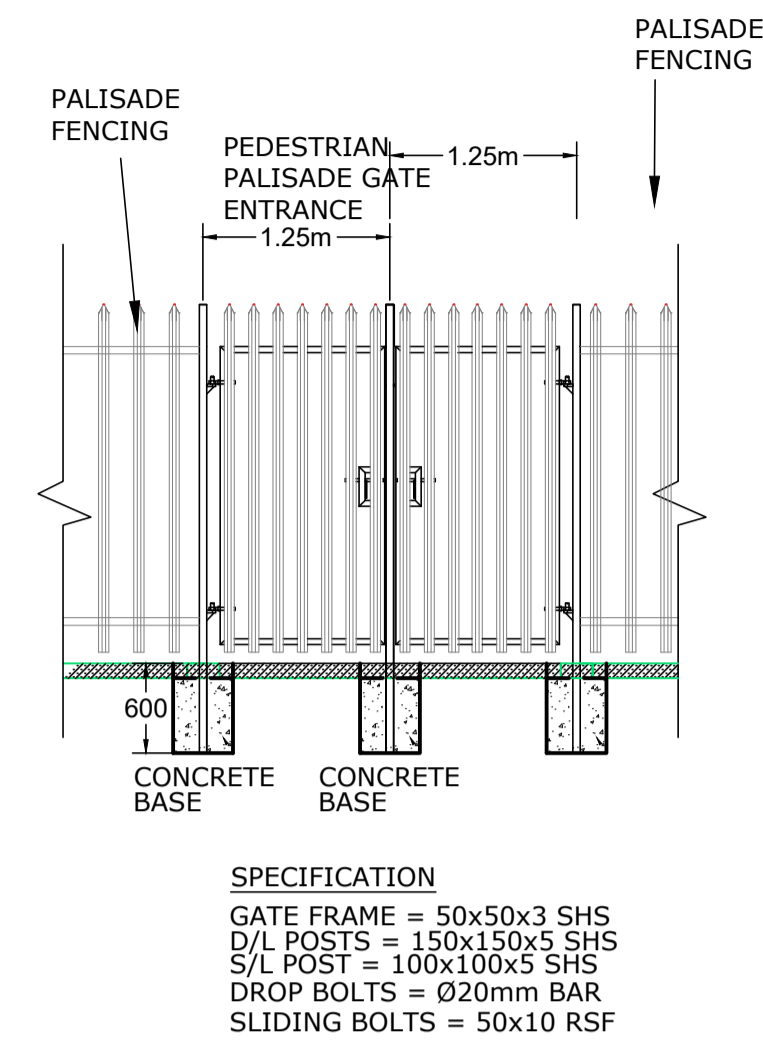
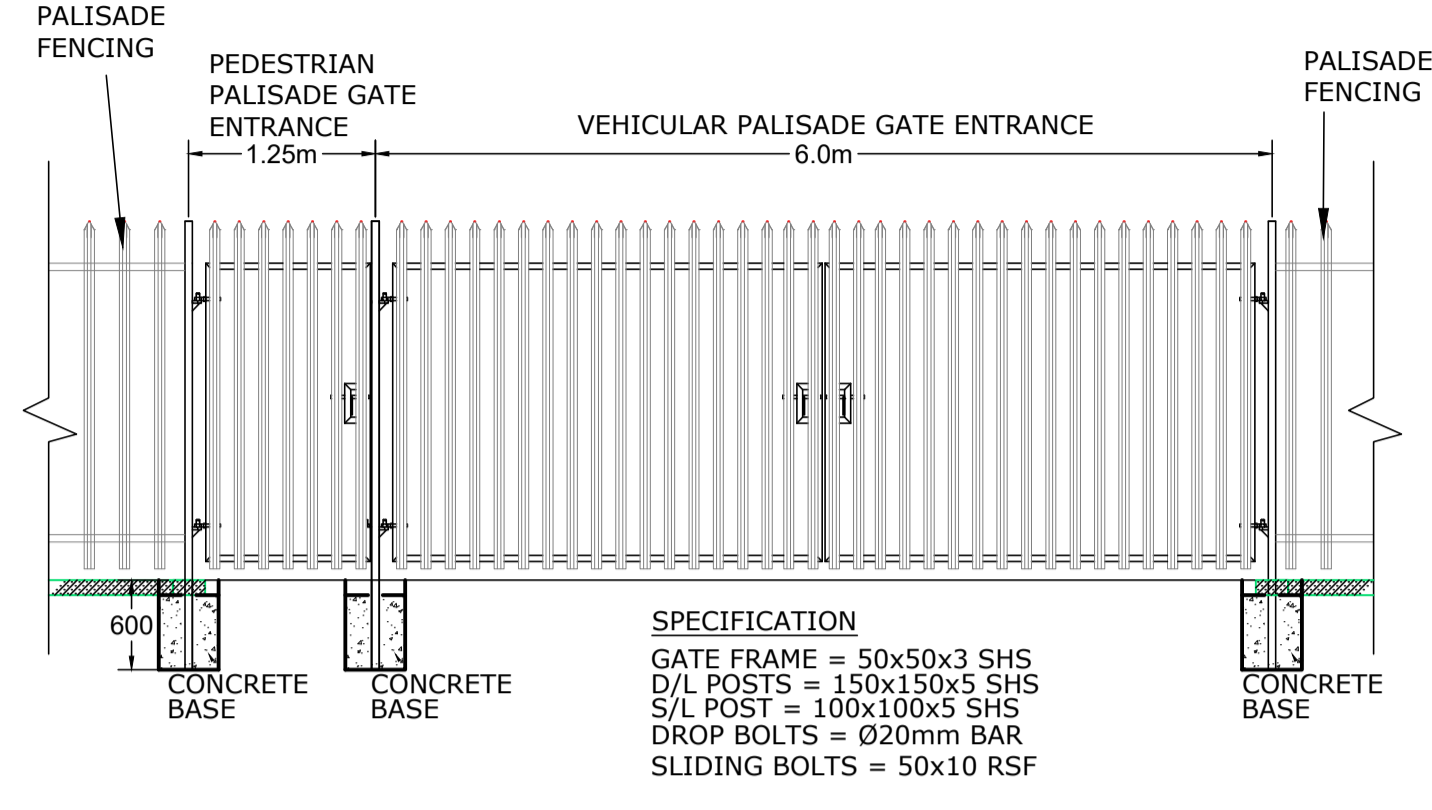


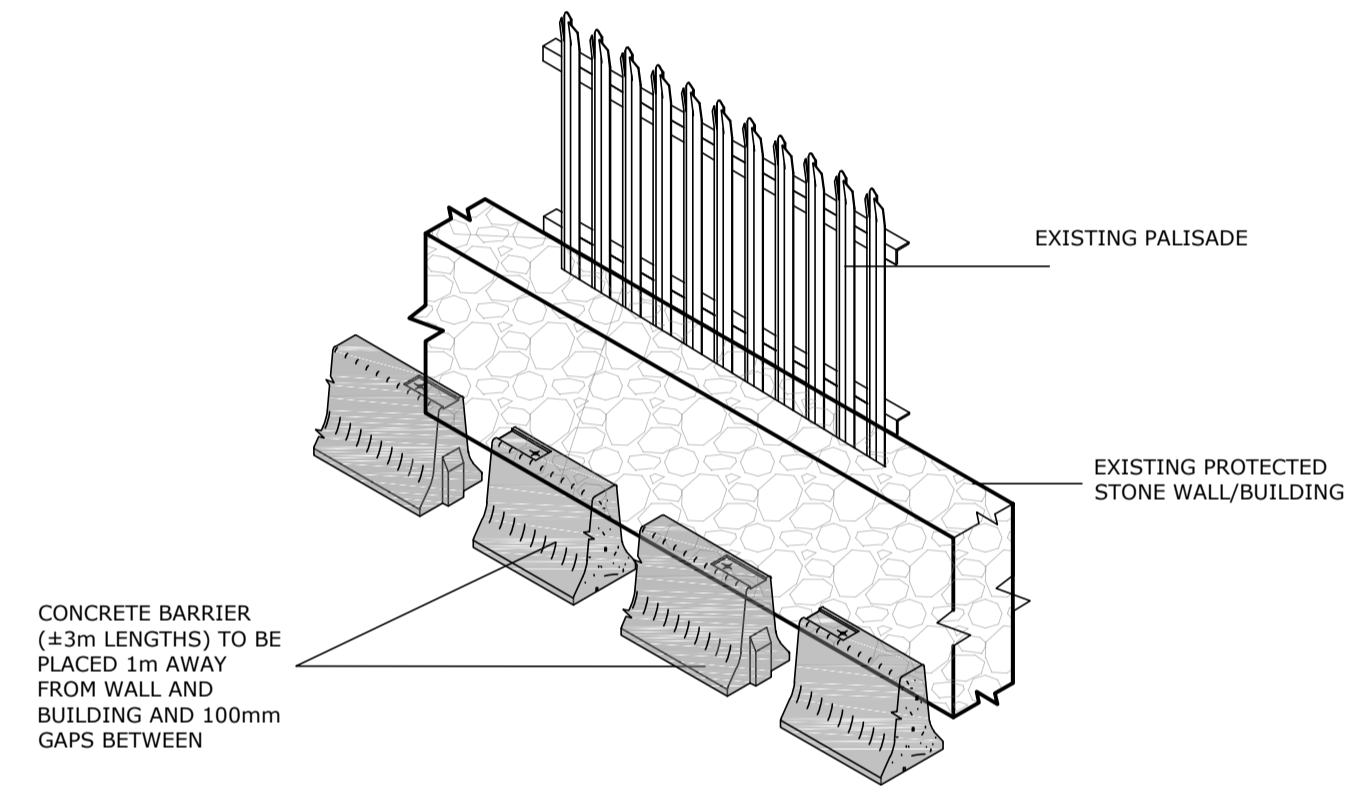
1. All levels are in metres and relate to O.S. Datum MALIN.
2. This drawing is reproduced from digital maps:
 O.S. MAPS - Scale 1:2,500
 O.S. MAPS - Scale 1:1,000
 Discovery Series - Scale 1:50,000
3. All Maps are referenced to IRISH NATIONAL GRID (I.T.M.)
4. Reproduced from the Ordnance Survey of Ireland by Permission of the Government. License No. 3-3-34.



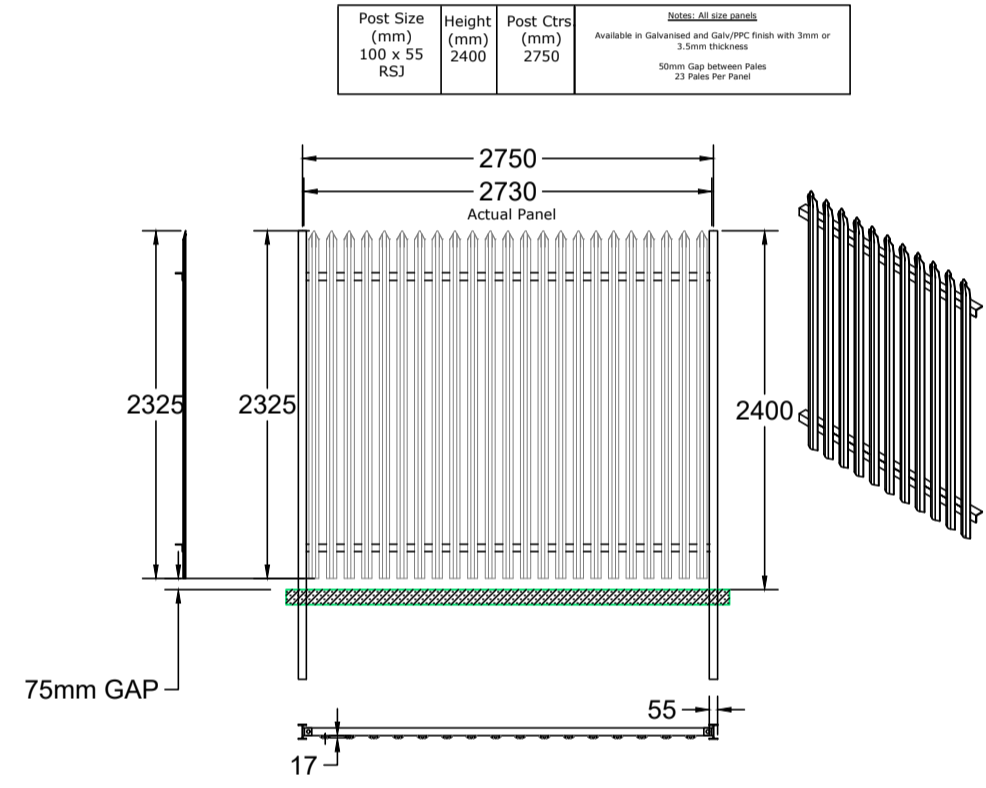
PEDESTRIAN GATE ENTRANCE DETAIL
 SCALE 1:50



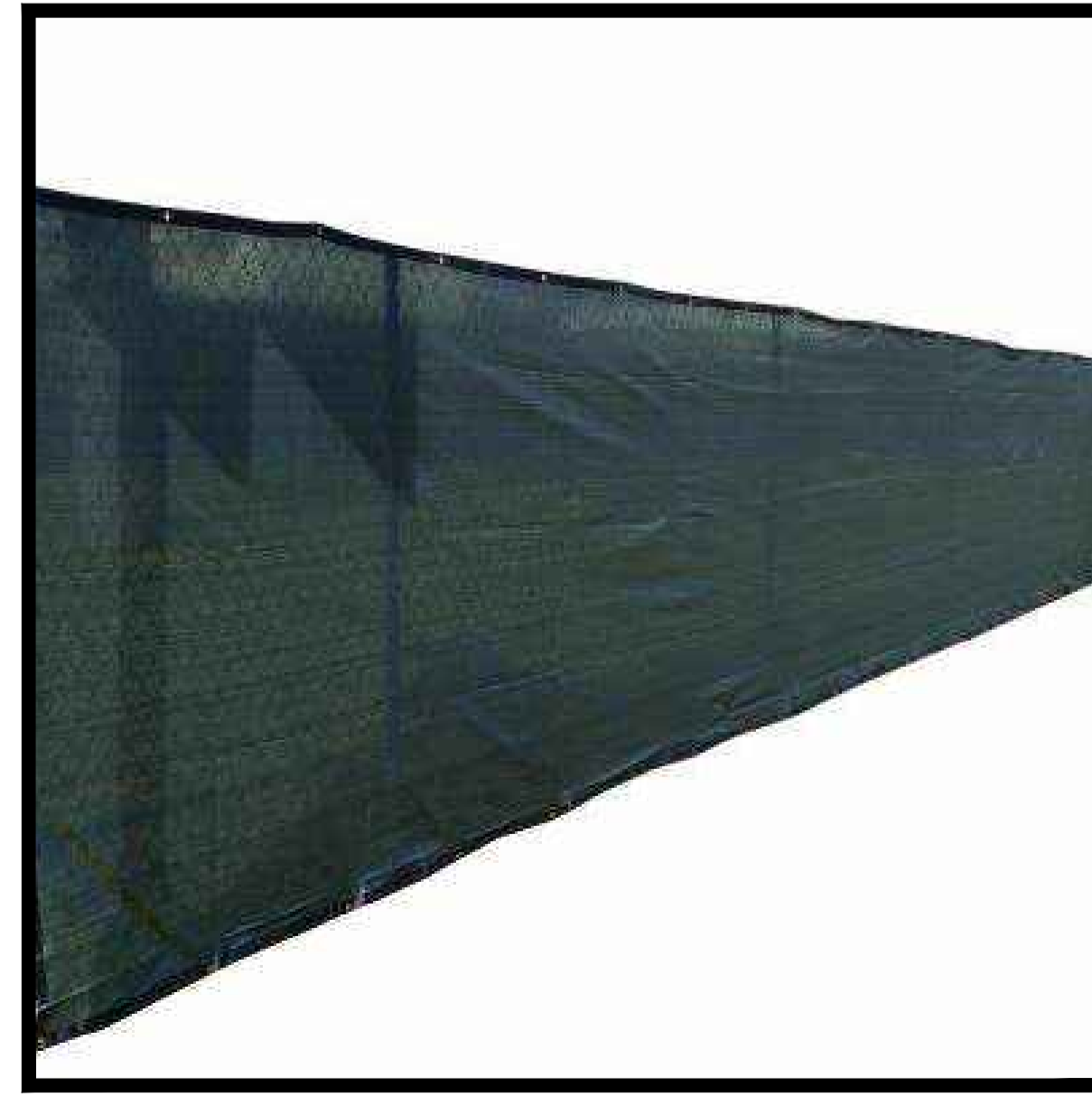
PEDESTRIAN and VEHICLE GATE ENTRANCE DETAIL
 SCALE 1:50



TYPICAL DETAIL FOR PROTECTION OF EXISTING STONE WALL AND PROTECTED BUILDING



PALISADE FENCE DETAIL



TYPICAL FENCE SCREENING TO BE ATTACHED TO PALISADE FENCING

Rev.	Date	Drawn	Checked	Approved	Description
A	JUNE 2018	LHA	ED	MH	PLANNING APPLICATION

Client:

UISCE Colvill House Tel: 1890 278 278
 ÉIREANN: IRISH 24-26 Talbot St Int: +353-1-707 2828
 WATER Dublin 1 email: info@water.ie
 Web: www.water.ie

Scheme: RINGSEND WASTEWATER TREATMENT PLANT UPGRADE PROJECT
 Component: RINGSEND WASTEWATER TREATMENT PLANT

TJ O'Connor & Associates **TJ O'CONNOR & ASSOCIATES**
 Corrigan House Tel: +353-1-2952321
 Corrigan Road, Sandyford email: info@tjoc.ie
 Dublin 18, Ireland Web: www.tjoc.ie CONSULTING ENGINEERS

J. B. Barry and Partners
 Classon House Tel: +353-1-485 1400
 Dundrum Business Park email: info@jbbarry.ie
 Dundrum Road Dublin 14 Web: www.jbbarry.ie

Royal HaskoningDHV
 PO Box 1132 Tel: +31-88-3462000
 3800 BC Amersfoort email: info@rhdhv.com
 The Netherlands Web: www.royalhaskoningdhv.com

Drawn By:	Checked By:	Approved By:	Date:
LHA	ED	MH	JUL 2017

Client Project Ref:	Project Stage:
IW-RGD/10000308	

Internal Project Ref: Ring01/JBB-Y14701/TJOC-14040/RHDHV-BB4342 @A1

Drawing Title: **COMPOUND SITES FENCING AND GATE DETAILS**

Scales: 1:50@A1 1:100@A3

Drawing No.: Y15710-PL-965 Rev: 0